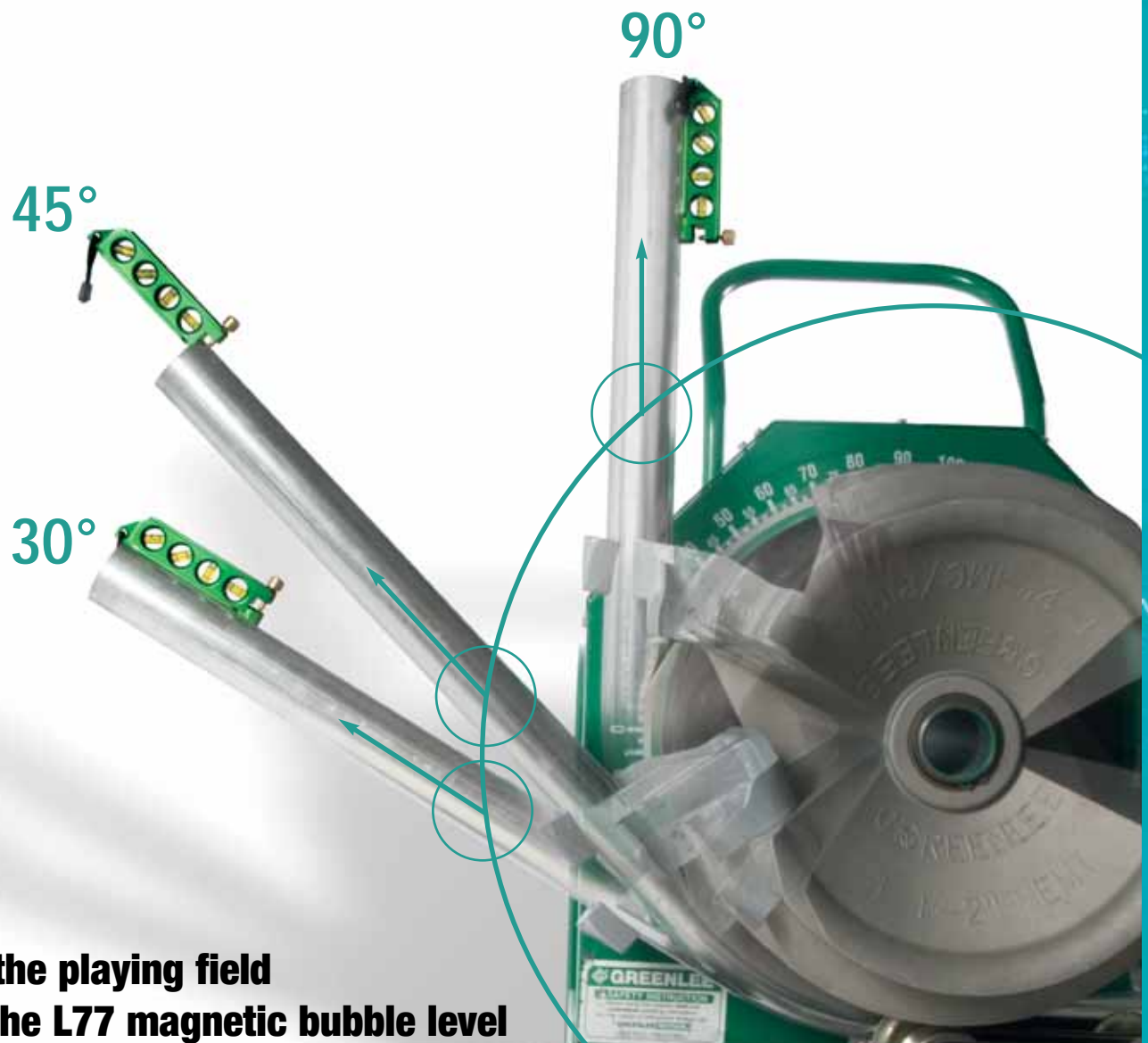


Strength, Versatility and Compact Size Define the L77 Magnetic Bubble Level



Even the playing field with the L77 magnetic bubble level

You have thought that a bubble level is a bubble level. Well, think again. The L77 bubble level from Greenlee, like all Greenlee products, is designed for the professional electrician. This means quality and durability. The L77 is manufactured from aluminum alloy and anodized to aircraft standards. Machined into the L77 are three rare earth magnets. These magnets provide superior holding strength. In addition, the mini torpedo design with handy "no-dog" attachment makes

bending offsets a breeze. Amazing how one compact level can provide such versatility.

No matter if you are working on a large job site or in a residential application the L77 is the right tool for you. Make the L77 a part of your tool bag!

PRODUCT FEATURES

- Professional grade level with bending offset aid.
- Mini torpedo design with handy "no-dog" attachment for bending.
- Three rare earth magnets provide superior holding strength.
- Four vial design - 0°, 90°, 45°, and 30°.
- Machined from aluminum alloy and anodized to aircraft standards.
- Compact size fits easily in tool pouch.
- V-groove on top of level for easy view of vials.
- Bending offsets and calculations permanently laser engraved onto level.



SPECIFICATIONS

Length: 5-1/2" (140mm)

Width: 3/4" (19mm)

Height: 1-1/2" (38mm)

ORDERING INFORMATION

CAT. NO.	UPC NO.	DESCRIPTION	QTY.
L77	11617	Mini Magnetic Bubble Level	1

DISTRIBUTED BY



USA 800-435-0786 Fax: 800-451-2632
815-397-7070 Fax: 815-397-1865
Canada 800-435-0786 Fax: 800-524-2853
International +1-815-397-7070 Fax: +1-815-397-9247

4455 Boeing Drive • Rockford, IL 61109-2988 • USA • 815-397-7070
©2004 Greenlee Textron Inc. • An ISO 9001 Company • Printed in USA
Greenlee Textron Inc. is a subsidiary of Textron Inc.

www.greenlee.com

MA-4573 06/04